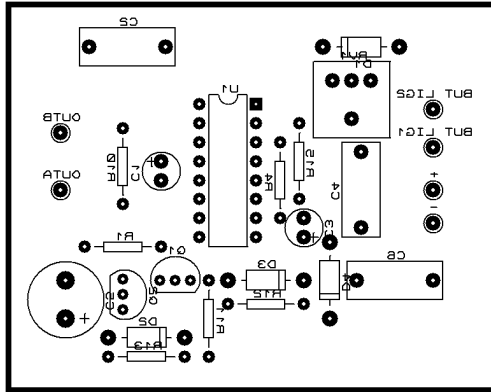


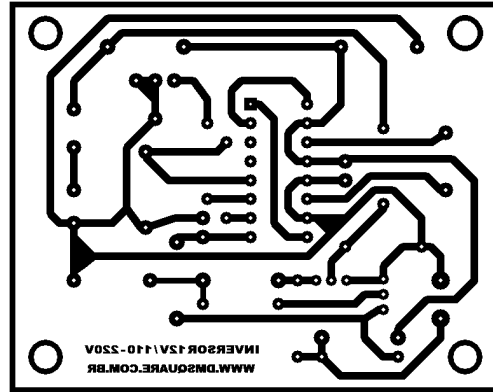
Inversor de tensão 300W

Inversor simples baseado no SG3525.

Placas:

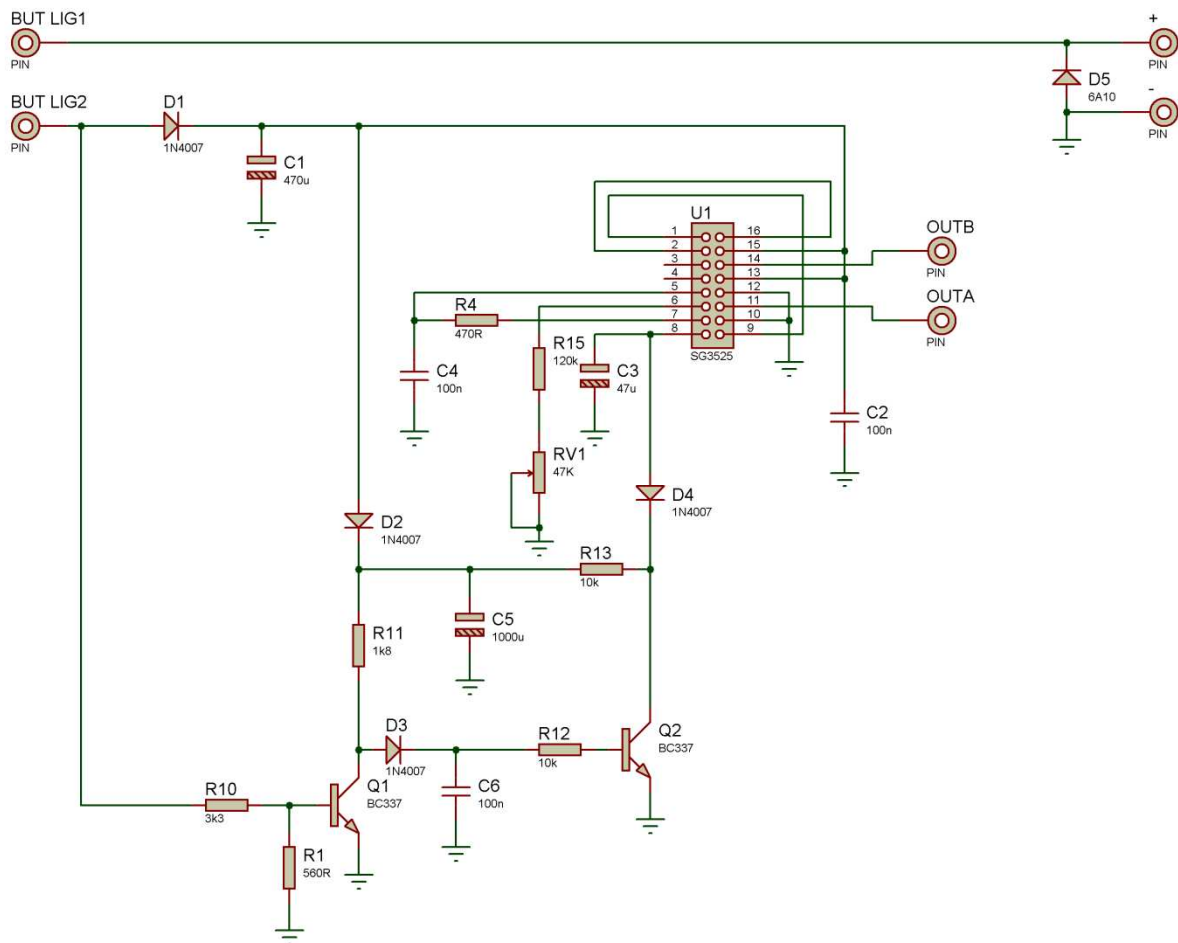


TOP SILK (MIRROR)



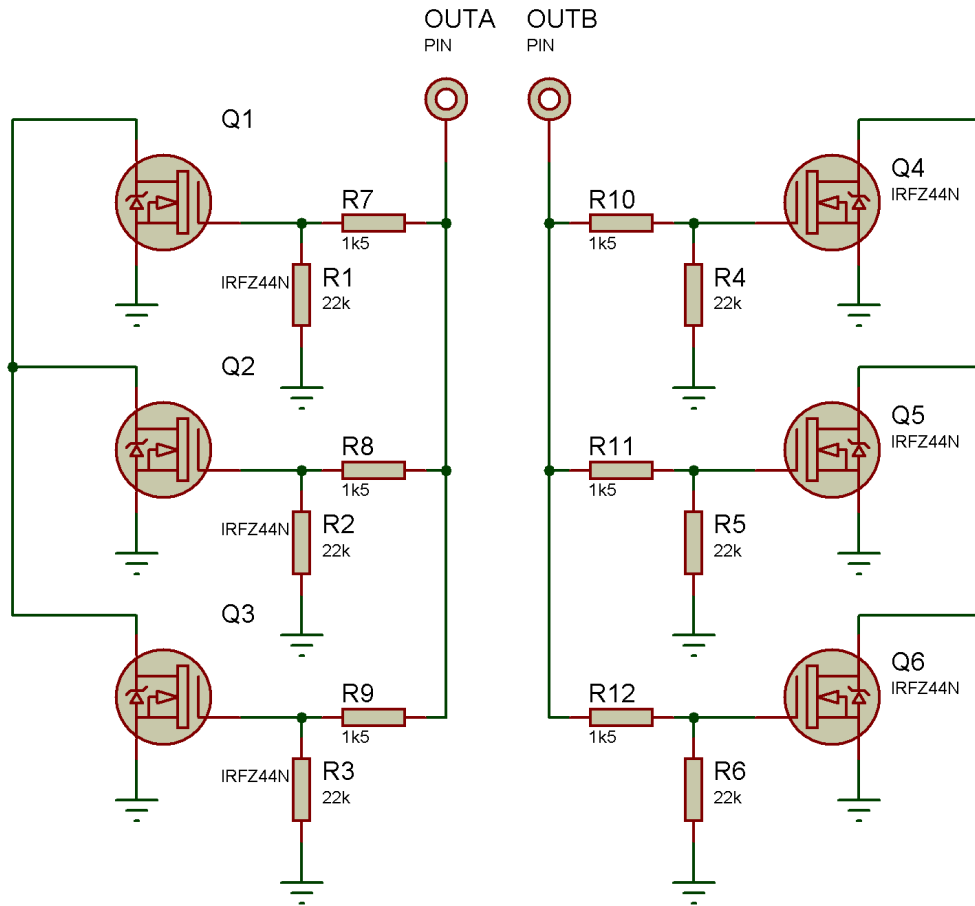
BOTTOM SILK

Esquema:



DMSQUARE

Mosfets:



Lista de Materiais

7 Resistors

<u>Quantity:</u>	<u>References</u>	<u>Value</u>	<u>Order Code</u>
1	R1	560R	
1	R4	470R	
1	R10	3k3	
1	R11	1k8	
2	R12, R13	10k	
1	R15	120k	

DMSQUARE

6 Capacitors

<u>Quantity:</u>	<u>References</u>	<u>Value</u>	<u>Order Code</u>
1	C1	470u	Maplin VH11M
3	C2, C4, C6	100n	Maplin BX76H
1	C3	47u	Maplin VH11M
1	C5	1000u	Maplin VH51F

1 Integrated Circuits

<u>Quantity:</u>	<u>References</u>	<u>Value</u>	<u>Order Code</u>
1	U1	SG3525	Digikey HDP16S-ND

2 Transistors

<u>Quantity:</u>	<u>References</u>	<u>Value</u>	<u>Order Code</u>
2	Q1, Q2	BC337	

5 Diodes

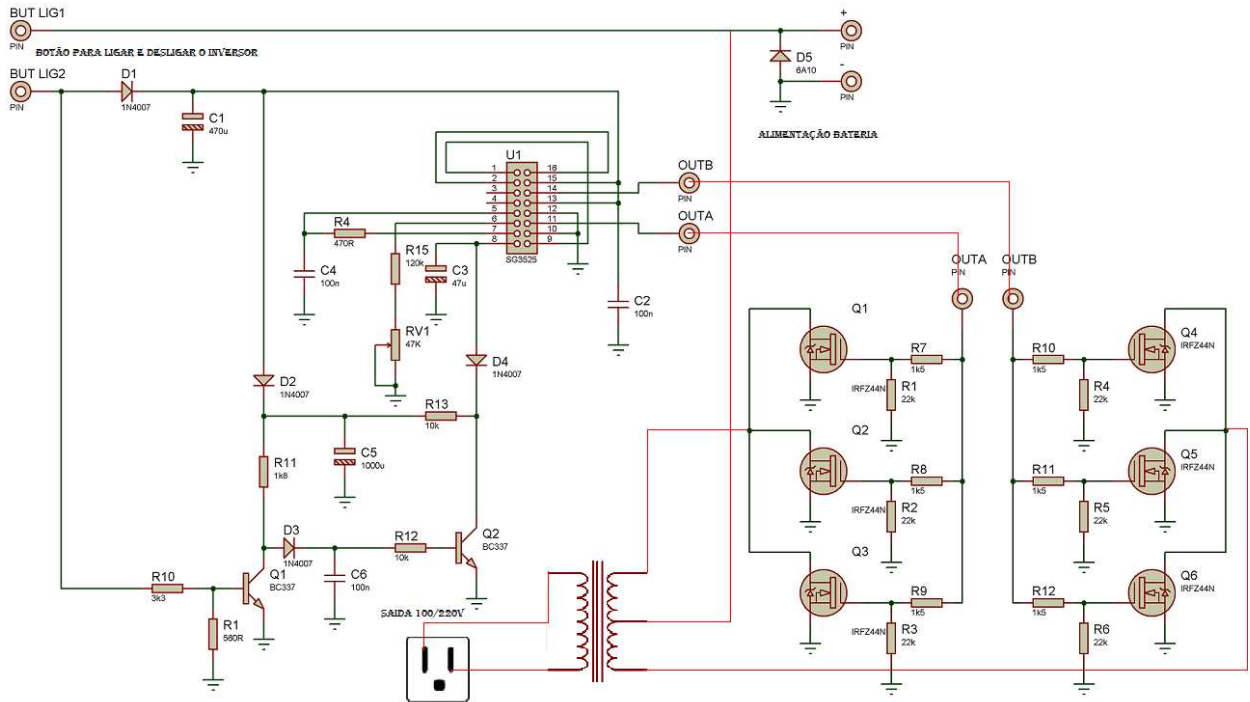
<u>Quantity:</u>	<u>References</u>	<u>Value</u>	<u>Order Code</u>
4	D1-D4	1N4007	
1	D5	6A10	

7 Miscellaneous

<u>Quantity:</u>	<u>References</u>	<u>Value</u>	<u>Order Code</u>
6	+, -, BUT LIG1, BUT LIG2, OUTA, OUTB	PIN	
1	RV1	47K	Digikey 3252P-204LF-ND

DMSQUARE

Exemplo para montagem



Ligação Chave 110/220V

